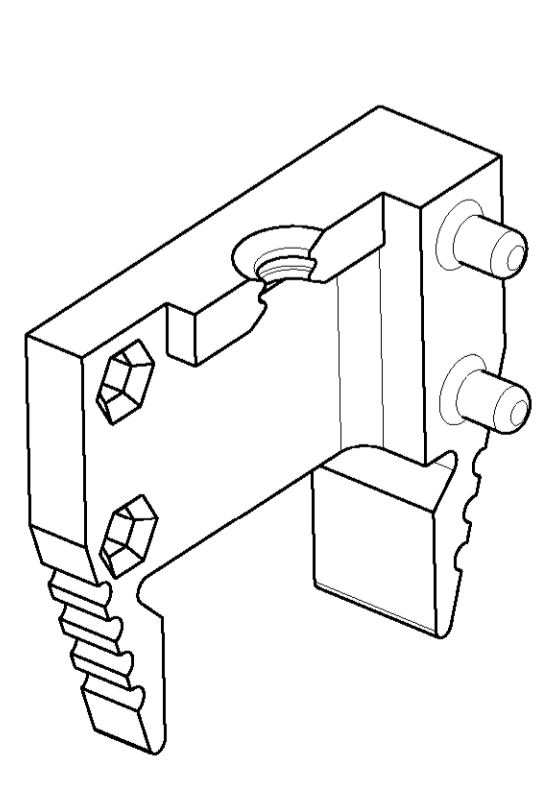
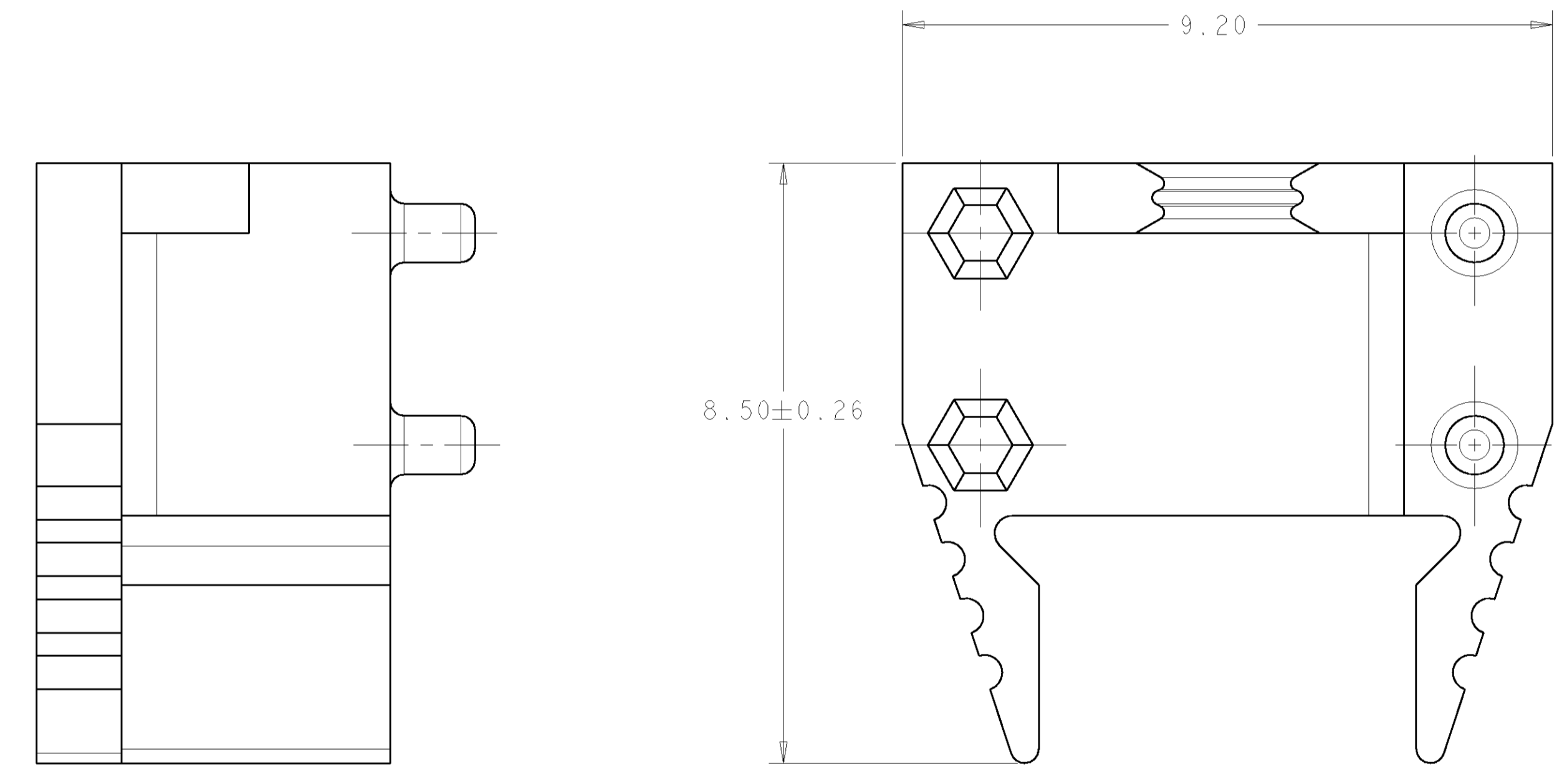
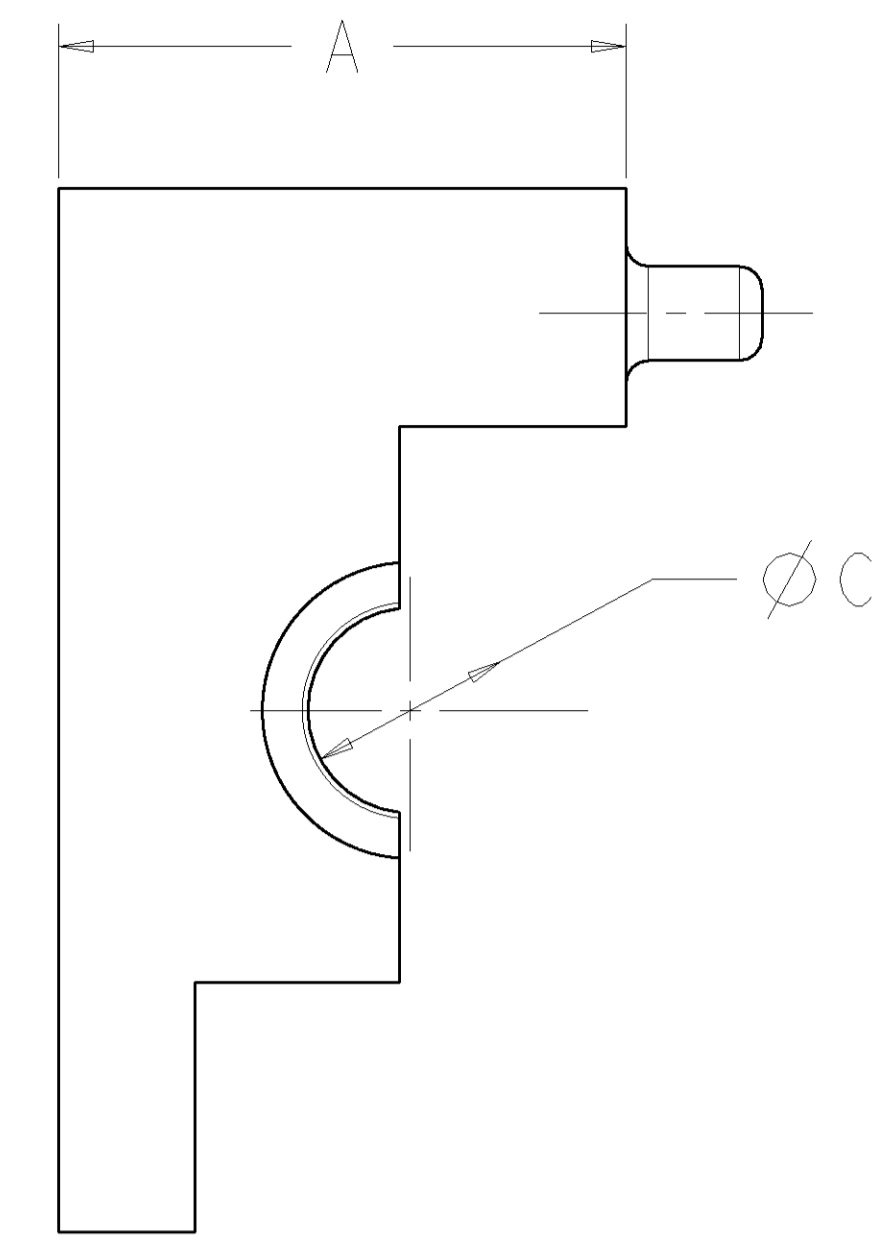
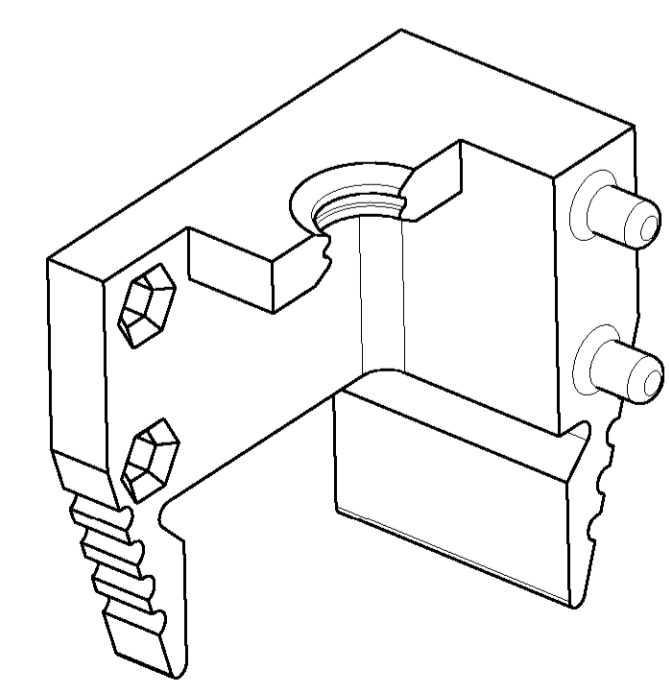


UL 94V-0 RATED LCP.

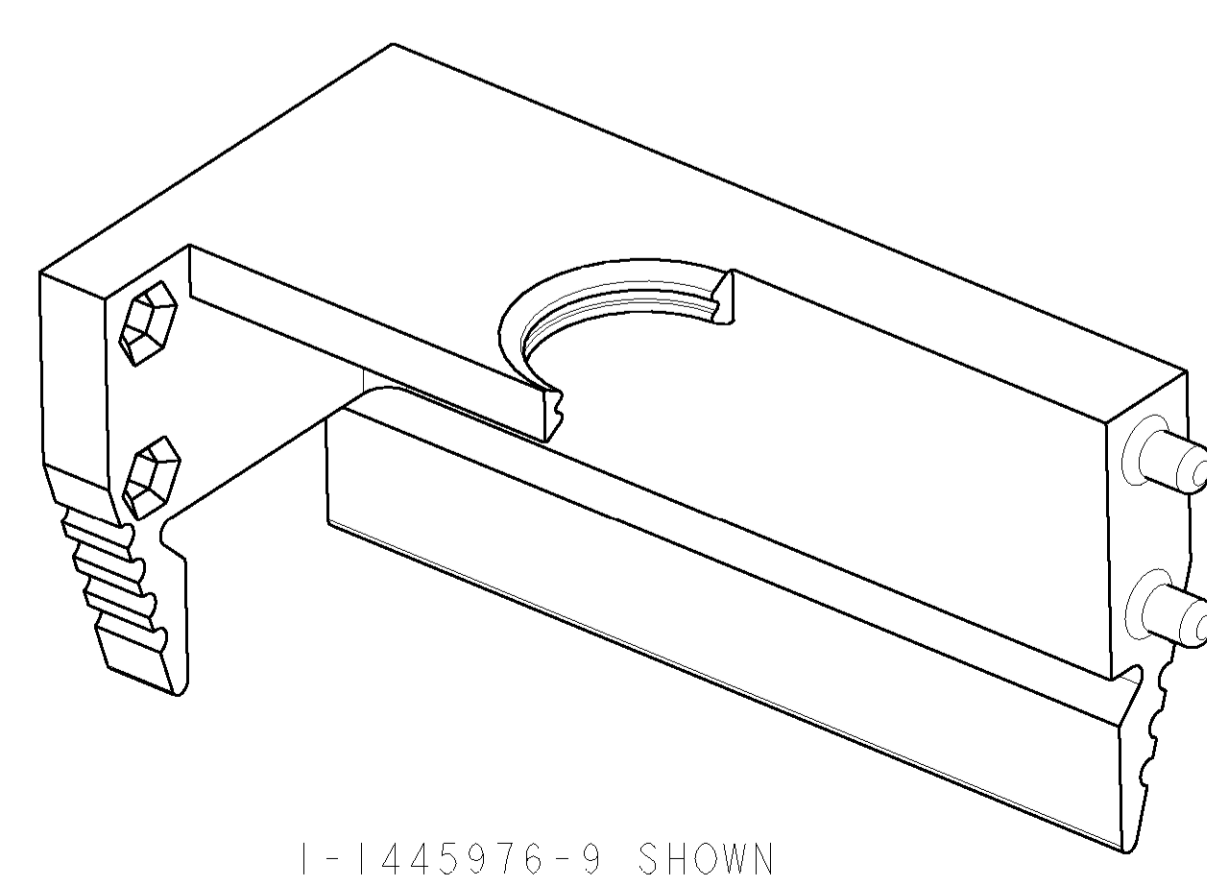
- 2. TWO PIECES REQUIRED PER CONNECTOR ASSEMBLY.
- 3. BULK PACKAGED.



1445976-1 SHOWN  
SCALE 8:1



1445976-4 SHOWN  
SCALE 8:1



1-1445976-9 SHOWN  
SCALE 8:1

| LOC | DIST | REVISIONS                             |           |     |      |
|-----|------|---------------------------------------|-----------|-----|------|
| P   | LTR  | DESCRIPTION                           | DATE      | DWN | APVD |
| 1   |      | PROPOSED                              | -         | -   | -    |
| 2   |      | 9.20 WAS 9.00, REV TABLE, REV SHT TOL | 18NOV2002 | RLK | LB   |
| 3   |      | CHANGE TABLE DIMENSIONS A             | 19MAR03   | WGL | LB   |
| 0   |      | REV PER 0G3C-0616-03                  | 02DEC03   | RB  | DR   |

|      |       |    |             |
|------|-------|----|-------------|
| 3.90 | 17.00 | 40 | 1-1445976-9 |
| 3.80 | 16.20 | 38 | 1-1445976-8 |
| 3.70 | 15.40 | 36 | 1-1445976-7 |
| 3.60 | 14.60 | 34 | 1-1445976-6 |
| 3.50 | 13.80 | 32 | 1-1445976-5 |
| 3.40 | 13.00 | 30 | 1-1445976-4 |
| 3.30 | 12.20 | 28 | 1-1445976-3 |
| 3.20 | 11.40 | 26 | 1-1445976-2 |
| 3.10 | 10.60 | 24 | 1-1445976-1 |
| 3.00 | 9.80  | 22 | 1-1445976-0 |
| 2.91 | 9.00  | 20 | 1445976-9   |
| 2.69 | 8.20  | 18 | 1445976-8   |
| 2.47 | 7.40  | 16 | 1445976-7   |
| 2.25 | 6.60  | 14 | 1445976-6   |
| 2.03 | 5.80  | 12 | 1445976-5   |
| 1.81 | 5.00  | 10 | 1445976-4   |
| 1.59 | 4.20  | 8  | 1445976-3   |
| 1.37 | 3.40  | 6  | 1445976-2   |
| 1.15 | 2.60  | 4  | 1445976-1   |

| C | A | NO. OF POS. | PART NUMBER |
|---|---|-------------|-------------|
|---|---|-------------|-------------|

|                    |  |                                                                                                                |  |                                                                   |  |                                                     |  |
|--------------------|--|----------------------------------------------------------------------------------------------------------------|--|-------------------------------------------------------------------|--|-----------------------------------------------------|--|
| DIMENSIONS:<br>mm: |  | TOLERANCES UNLESS OTHERWISE SPECIFIED:<br>0 PLC ±<br>1 PLC ±0.08<br>2 PLC ±<br>3 PLC ±<br>4 PLC ±<br>ANGLES ±1 |  | DWN: D. FABIAN 06AUG2002<br>ENR: L. BREKOSKY 05DEC2002<br>APVD: - |  | Tyco Electronics<br>Harrisburg, PA 17105-3608       |  |
| MATERIAL:          |  | FINISH: -                                                                                                      |  | PRODUCT SPEC: -<br>APPLICATION SPEC: 114-13051                    |  | SIZE: A1<br>CAGE CODE: 00779<br>DRAWING NO: 1445976 |  |
| CUSTOMER DRAWING   |  |                                                                                                                |  | SCALE: 15:1                                                       |  | SHEET 1 OF 1<br>REV 0                               |  |